

VARIO TOP

invatec
Always an **innovation** ahead

Innovative cable ducts **FLEXIBLE USAGE.**

Not only railway connections need to be flawless!

Moving things with cables, whether energy or data flows – what counts is smooth communication for boundless mobility and quality of life. As a recognized company in the field of plastics technology, we develop and manufacture plastic cable ducts. But for us, average is not enough: We are committed to solutions that offer a plus in innovation, quality, safety and economy.

When building industrial and infrastructural facilities, you quite often have to expect rough and topographically difficult terrain to deal with. But even under such circumstances, the installation of cables should not cause any problems, provided that you use the **VARIO TOP pillar-mounted cable duct system**.

VARIO TOP is a high quality and at the same time multi-functional cable protection system with a comprehensive range of accessories available. Special elements are available on request.

The Federal Railway Authority has certified the VARIO TOP pillar-mounted system in sizes 1 and 2 .

Certification nos: 2152lbzb (21/98) and 2152lbzb (21/99) .

invatec – always an innovation ahead!

Advantages

The cable duct is extremely light and at the same time solid. It is easy to install and offers reliable protection for sensitive cables and leads against any influence from the outside – also in topographically difficult terrain.

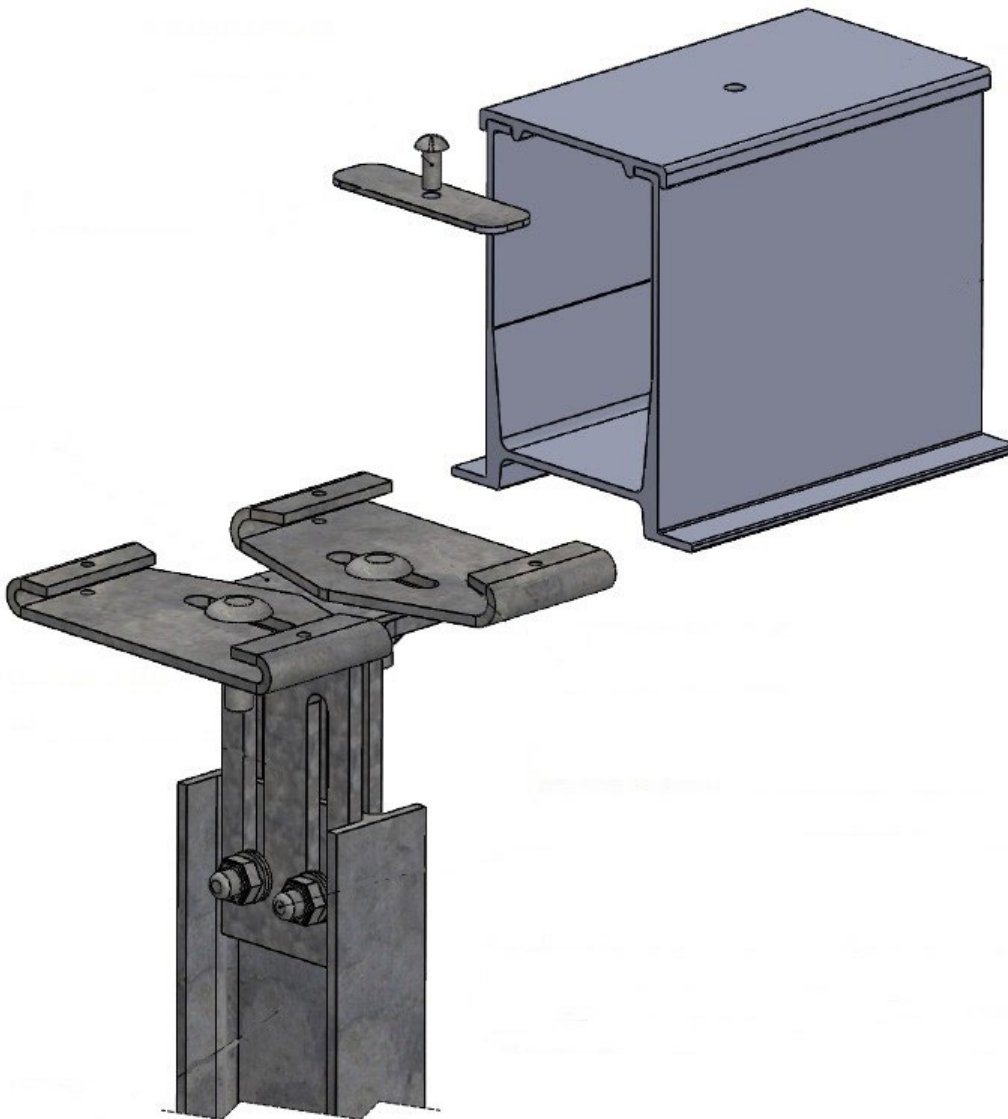
The rugged system allows for all forms of pillar mounting. Uneven ground surface, slopes and inclines, bends – no problem for VARIO TOP. What you will get is a maximum of flexibility when it comes to cable protection and ease of installation.

- One-piece supporting structure and cable duct
- No time-consuming installation of the cable ducts on the supporting structure
- Quick-action fasteners for the lid
- Standard span of 6 m
- Low transport costs, simple handling
- Low storage costs
- Solid design, made of glass-fiber reinforced plastic material (GRP)
- Non-conductive, consequently no earthing required
- High mechanical stability
- Fire protection category K1 acc. to DIN Standard 53438 Part 2
- Permanent dimensional stability between -30 °C and +85 °C

VARIO TOP size 1

Technical specifications / dimensions

Length:	6,000 mm
Width:	100 mm
Height:	150 mm
Weight:	32 kg
Fire protection category:	K1 in acc. with DIN standard 53438 part 2
Material:	MR – mats and roving reinforced fiberglass section



Description	Article no.
VARIO TOP size 1 complete, incl. Lid, mounting and adjustment plate and steel pillar 1.5 m	C000121
VARIO TOP Größe 1 complete, incl. Lid, mounting and adjustment plate and steel pillar 2.0 m	C000123
VARIO TOP Größe 1 complete, incl. Lid, mounting and adjustment plate and steel pillar 2.5 m	C000122

VARIO Top cable trough



Description	Article no.
VARIO Top cable trough	C000305

VARIO Top lid



Description	Article no.
VARIO TOP lid	C000306

VARIO TOP steel pillar



Description	Article no.
Steel pillar 1.5 m	D000101
Steel pillar 2.0 m	D000102
Steel pillar 2.5 m	D000103

VARIO Top mounting and adjustment plate



Description	Article no.
VARIO TOP mounting and adjustment plate	D000127

VARIO Top lowering kit



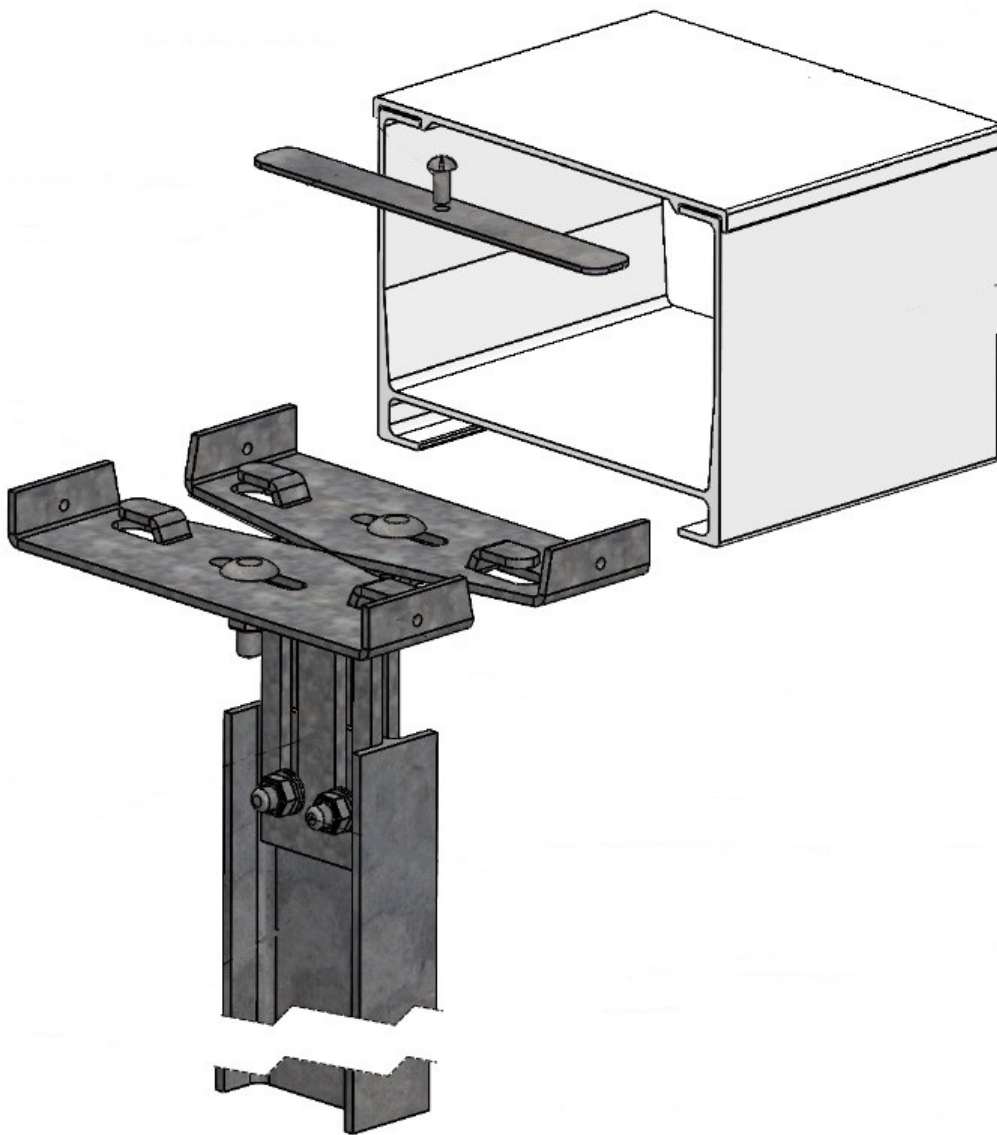
Description	Article no.
VARIO TOP lowering kit	D000128



VARIO TOP size 2

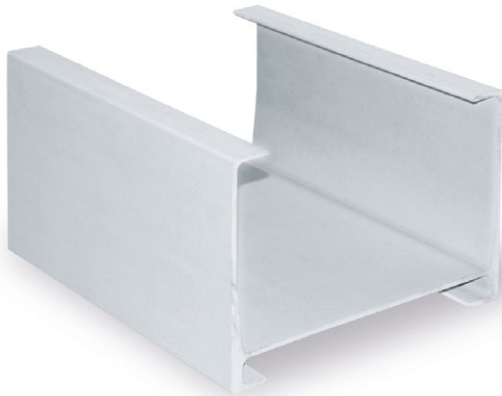
Technical specifications / dimensions

Length:	6,000 mm
Width:	250 mm
Height:	150 mm
Weight:	52 kg
Fire protection category:	K1 in acc. with DIN standard 53438 part 2
Material:	MR – mats and roving reinforced fiberglass section



Description	Article no.
VARIO TOP size 2 complete, incl. Lid, mounting and adjustment plate and steel pillar 1.5 m	C000210
VARIO TOP size 2 complete, incl. Lid, mounting and adjustment plate and steel pillar 2.0 m	C000211
VARIO TOP size 2 complete, incl. Lid, mounting and adjustment plate and steel pillar 2.5 m	C000212

VARIO Top cable trough



Description	Article no.
VARIO Top cable trough	C000414

VARIO TOP lid



Description	Article no.
VARIO Top lid	C000413

VARIO TOP lowering kit



Description	Article no.
VARIO Top lowering kit	D000124

VARIO TOP steel pillar



Description	Article no.
Steel pillar 1.5 m	D000101
Steel pillar 2.0 m	D000102
Steel pillar 2.5 m	D000103

VARIO Top mounting and adjustment plate



Description	Article no.
VARIO Top mounting and adjustment plate	D000123



Special solutions

England – Doncaster



VARIO TOP size 2 along the track line

Netherlands



VARIO TOP size 2 – Special solution on a noise barrier

ESTW Saarbrücken, Germany



Three parallel cable ducts on one support

Geisingen, Germany



VARIO TOP on natural stone wall

invatec
Always an **innovation** ahead

invatec GmbH
Dieselstr. 21
74589 Satteldorf – Germany

T +49 7951 29641-0
F +49 7951 29642-11
info@invatec-gmbh.de
www.invatec-gmbh.de

